



Moisture Tolerant Epoxy Resin for Online Application

CORRO-CHIME 390

CORRO-CHIME 390 is solvent-free, elastomeric, and chemically resistant sealant with the consistency of soft putty. The material is extremely adhesive which is suitable for steel and concrete.

CORRO-CHIME 390 is designed for application where a flexible, corrosion resistant seal or expansion joint is required.



TECHNICAL DATA

Mixing ratio	1:1 by volume
Pot life	Approx. 45 minutes at 25°C (77°F)
Dry time (touch)	4 hours at 25°C (77°F)
Full cure time	24 hours at 25°C (77°F)

CURING SCHEDULE

Surface temperature @50% RH	Cure time (Light services)	Cure time (Full cure)
25°C (77°F)	4 Hours	24 Hours
35°C (95°F)	2 Hours	12 Hours
45°C (113°F)	1 Hours	6 Hours
55°C (131°F)	30 Minutes	3 Hours
65°C (149°F)	15 Minutes	1.5 Hours



Versatile



Moisture tolerant



100% solids

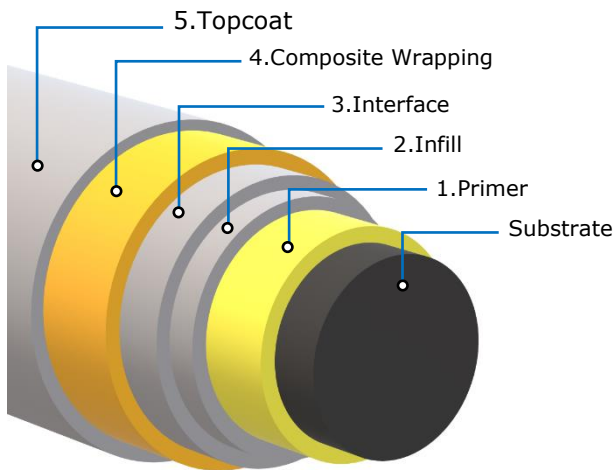


Odour free

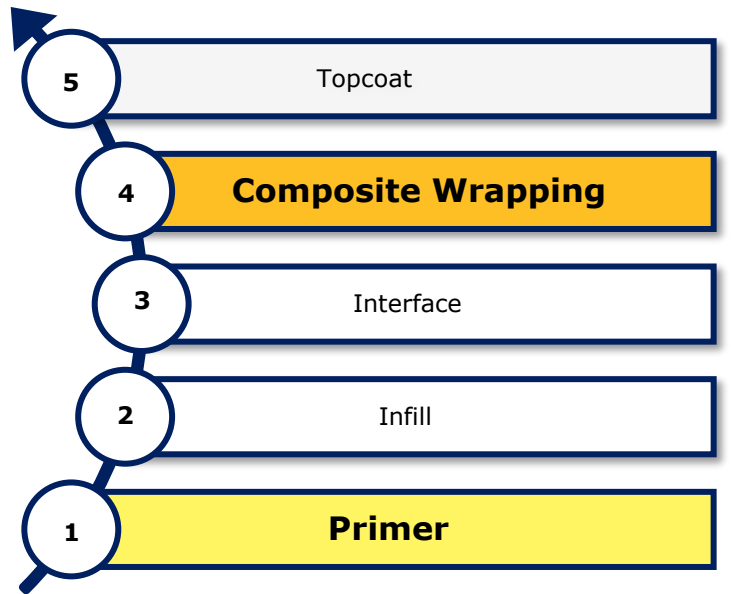


High performance

APPLICATION



CORRO-CHIME 390 can be used as **Primer** and saturating agent for **Composite Wrapping**



KEY BENEFITS

Moisture tolerant

- Designed to be applied to surfaces down to 2°C and resistant to ultimate cold surface upon curing

Online application

- Designed for online application in wet condition

100% solids

- No shrinkage, contraction or expansion during curing

Simple application

- Easy to mix 1:1 ratio by volume and can be easily applied by brush, spreader and spray equipment



1. Primer



2. Composite Wrapping

For more information, please contact our representative:

**Corroserv (M) Sdn Bhd,
20 & 22, Jalan IM 14/15,
Bandar Indera Mahkota, 25200
Kuantan, Pahang, West Malaysia**

**Tel: +609-5735623
Email: admin@corroserv.com.my**



We are specialized in online repair/maintenance services as we offer comprehensive engineering services for the offshore, marine, petrochemical, power generation, food processing, palm oil processing and other industries throughout the region.